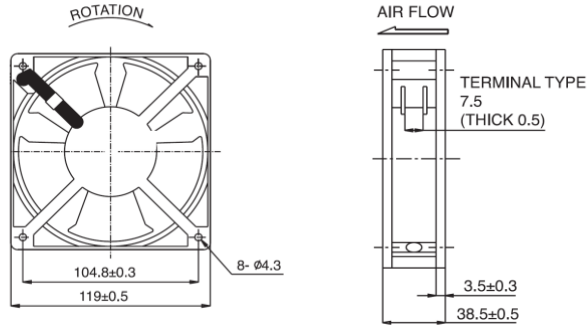
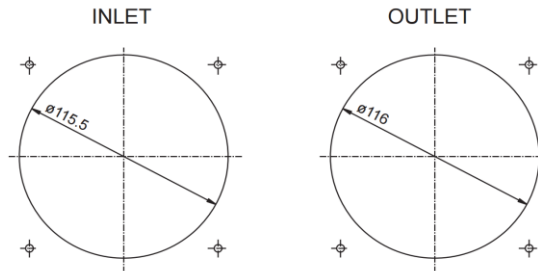
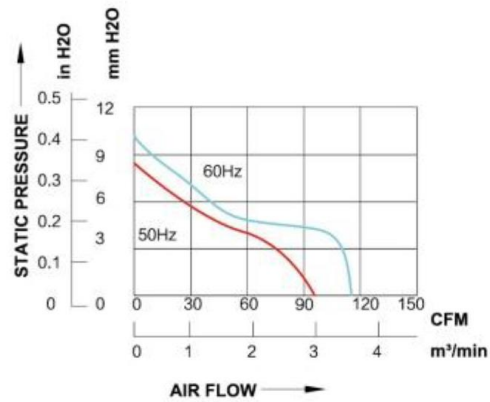


SW-CF-GD01



| | |
|---------------|--------------|
| MODEL | YZ-12038HST |
| TYPE | COMPACT FAN |
| CUSTOMER | GICODA |
| PRODUCTS CODE | SW-AC12038HS |

Air flow



Technical data

| | |
|---------------------|-----------------|
| MODEL | YZ-12038HST |
| BERAING | SLEEVE BEARING |
| VOLTAGE | 220-240V |
| FREQUENCY | 50/60Hz |
| CURRENT | 0.14/0.10A |
| INPUT | 20/17W |
| SPEED | 2600/2800r/min |
| AIR VOLUME | 2.58/3.20m³/min |
| NET | 0.48kgs |
| NOISE | 40/45dBA |
| ROTATION | C.W |
| MODEL WITH TERMINAL | YZ-12038HST |
| MODEL WITH CABLE | YZ-12038HSC |

STICKER



SPECIAL REQUIRE

*All model could be customized, please contact with sales

| | | | | | |
|----------|--|-----------|--|--|--|
| | | | | | |
| | | | | | |
| | | | | | |
| DESIGN | | STANDARD | | | |
| AUDITING | | | | | |
| TECHNICS | | AUTHORIZE | | | |

| |
|---------|
| AC12038 |
|---------|

| |
|-------------------------------|
| HANGZHOU SAIWEI MOTOR CO.,LTD |
| CUSTOMER FILE |
| GICODA |